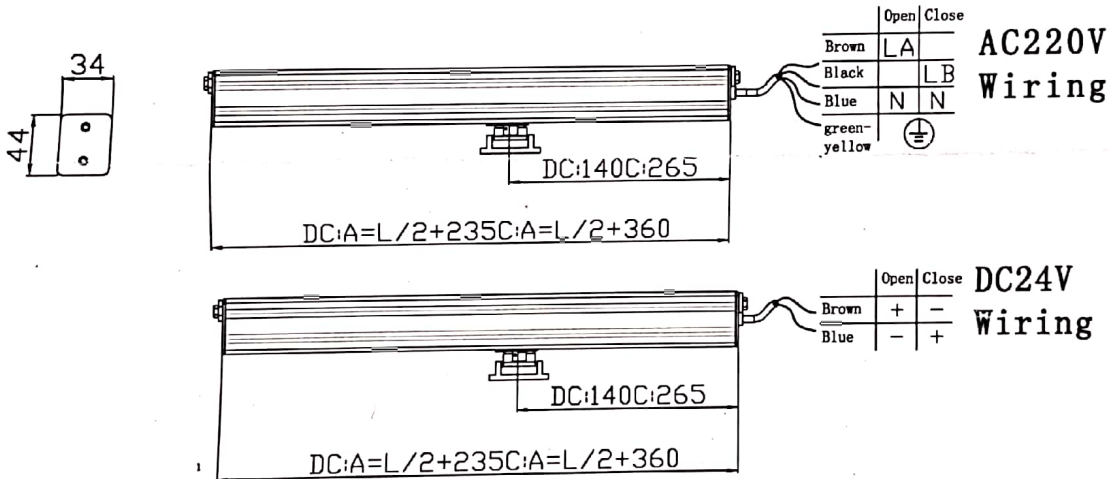


CougarTech

CH Series Installing Instruction

Package List		
	Description	Q'ty
a	Chain Actuator	1
b	Mounting Bracket	2
c	Hex Head Screw	2
d	Connector	1
e	Latch	1
f	φ 5 Self-tapping Screw	8

Dimension and Wiring Diagram



Parameters

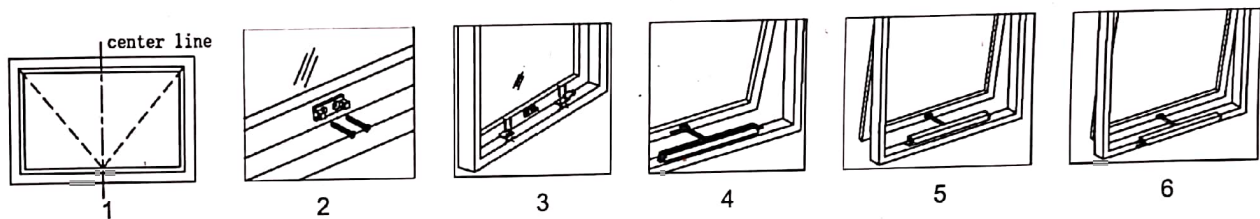
	Unit	Specification	
		DC24V	AC220V
Force	N	250	250
Max Current	A	0.6	0.15
Stroke	mm	300	300
Speed	mm/sec	~10	~10
Operating Voltage	V	DC24V ± 10%	AC220V ± 10%
Temps	°C	-20~+75	-20~+75
IP Class	IP	32	32

- Applications: top/bottom/side hinged windows, pivoted windows, inward/outward opening windows, skylights...
- Different brackets offered;
- Chain options: carbon steel or 304 stainless steel;
- Stroke, force and finish color can be customized;
- MCU inside

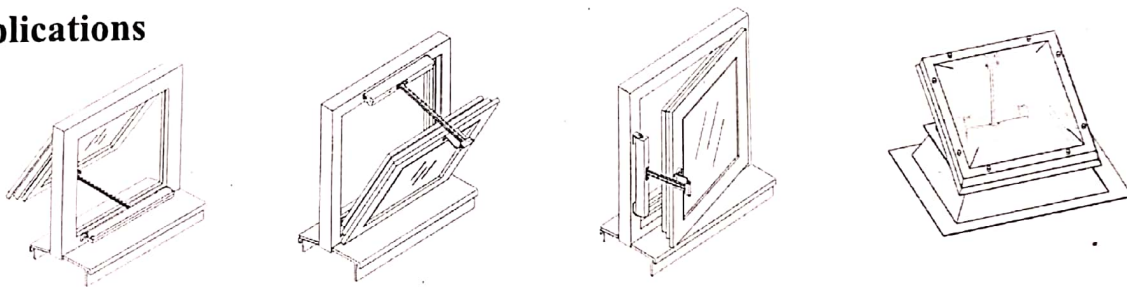
- Electronic overload cutoff.

Installation Steps:

- Find the point to fix the connector, horizontally it must be in the middle of window frame; vertically it need to be in a proper position which can make the chain and casing move freely and not scratched or blocked by the window frame, as picture 1;
- Fix the connector with 2 pcs ϕ 5*25mm self-tapping screws, as picture 2;
- Find the positions for mounting brackets according to the position of connector. The chain need to come in/out vertically to housing of actuator. Fix each mounting bracket with 3 pcs ϕ 5*25mm self-tapping screws , as picture 3;
- Put the actuator between the 2 mounting brackets, fix it with 1 pc hex head screw on each side. Insert the latch into the connector and head of chain, screw it tightly, as picture 4.
- There are 2 different ways to fix the mounting brackets, depending on whether there is window sill. As picture 5 & 6.



Applications



Safety Note:

- Test the actuator at least one working cycle to make sure it works well before the installation.
- Before installation make sure the stroke of actuator is smaller than max opening range of the window sash.
- The housing and chain can't be scratched or blocked by the window frame, they need to be at least 3mm away from the window frame. .
- Make sure the power is disconnected before installation.
- Do not put your hands between window sash and frame when the actuator is working.
- Trained professional staff only for the installation.
- Indoor use only.
- **Before installation, find out the input voltage of the actuator is DC24V or AC220V .**
- Before installation, make sure the window is working well.
- Regularly check the aging condition of wire and fasten screws, at least one time a year.
- Quality Guarantee : 2 years.